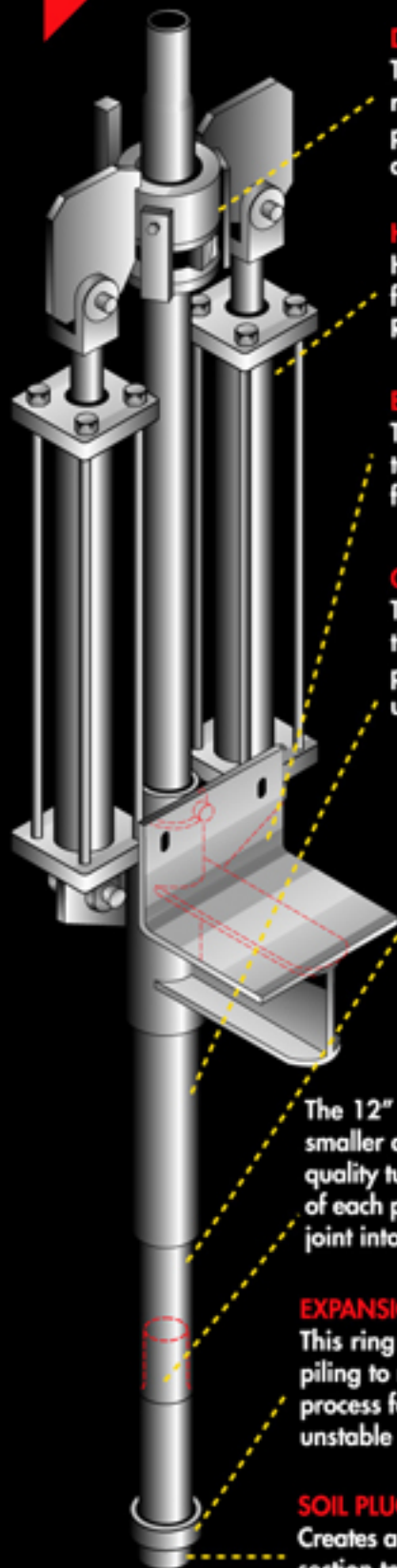


Ram Jack's® Unique Pier Features

Compare some of the unique features for installing RAM JACK® deep driven steel piers



DRIVING HEAD

The Ram Jack® driving head delivers rapid power to long sections of piling for a faster installation and a stronger pier.

HYDRAULIC RAMS

Have over 70,000 lbs. of driving force available to deliver to the Ram Jack® pier column.

BRACKET

The Ram Jack® bracket has been tested in excess of 100,000 lbs. of force.

GUIDE SLEEVE

The extended guide sleeve loads the piling vertically and rifles the piling as it advances through unknown strata.

STEEL PIER

The Ram Jack® Steel Pier material has been tested and specifically selected for its unusually high quality to resist bending and buckling. Tensile tests average 150,000 lbs.

PIER CONNECTOR

The 12" pier connector is composed of a smaller diameter section of the same high quality tubing and is crimped into one end of each pier section. The connector is a slip joint into the next pier section.

EXPANSION RING

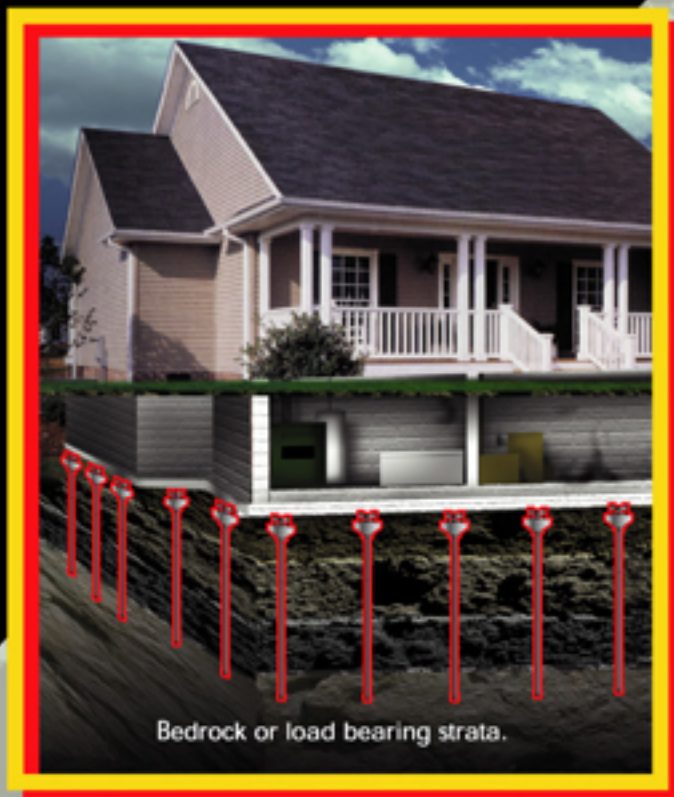
This ring expands the soil away from the piling to reduce friction during the driving process for maximum penetration through unstable soil.

SOIL PLUG

Creates a solid base for the lead pier section to bear on firm strata.



Bedrock or load bearing strata.



Bedrock or load bearing strata.